

Rotavapor R-220 SE BASIC



The R-220 SE BASIC is an industrial Rotavapor for all standard applications — this makes it the perfect instrument to start with. Based on a common design, there are no compromises in basic functionality and safety compared to the R-220 SE. Its modularity allows upgrades to meet even advanced requirements.

Where are the differences compared to the R-220SE?

- No integrated Vacuum Controller
- No electrical aeration valve
- No bath replenishment
- Basic feed valve for feed and aeration

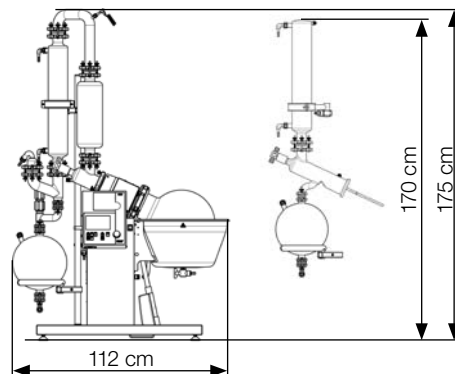
Upgrades available!



Order information

The R-220 SE BASIC is available in 6 glass configurations and each in two different voltages.

Order code	Voltage	Glass assembly (V or D)	10 liter receiver (one or two)	Evaporation flask (10 or 20 liter)
118416B201	220–240V	V	1	10
118416B241	220–240V	D	1	10
118416B242	220–240V	D	2	10
118416C201	220–240V	V	1	20
118416C241	220–240V	D	1	20
118416C242	220–240V	D	2	20
118466B201	400V	V	1	10
118466B241	400V	D	1	10
118466B242	400V	D	2	10
118466C201	400V	V	1	20
118466C241	400V	D	1	20
118466C242	400V	D	2	20



Accessories

All accessories in the main brochure of the R-220 SE can be used also for the R-220 SE BASIC.



Vacuum Controller V-850/855

Upgrade your R-220 SE BASIC to allow easy and reproducible controlling of the vacuum level. Both controllers provide a solvent library and timer. The V-855 offers a gradient function in addition.

Upgrade set V-850 48531
Upgrade set V-855 48532



Bath replenishment

Comfortable replenishment for water as heating transfer medium.

Bath replenishment 11055662



Electrical aeration valve

This additional valve can be controlled via the aeration button and by the Vacuum Controller V-850 and V-855.

Aeration valve 11055929

Technical Data

All basic technical data are identical to a R-220 SE.

We are represented by more than 100 distribution partners worldwide. Find your local representative at

www.buchi.com

Quality in your hands

